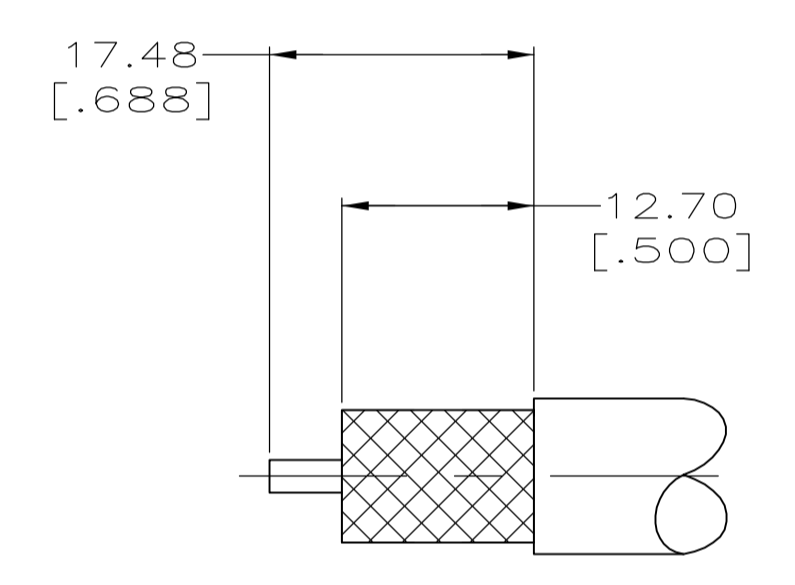
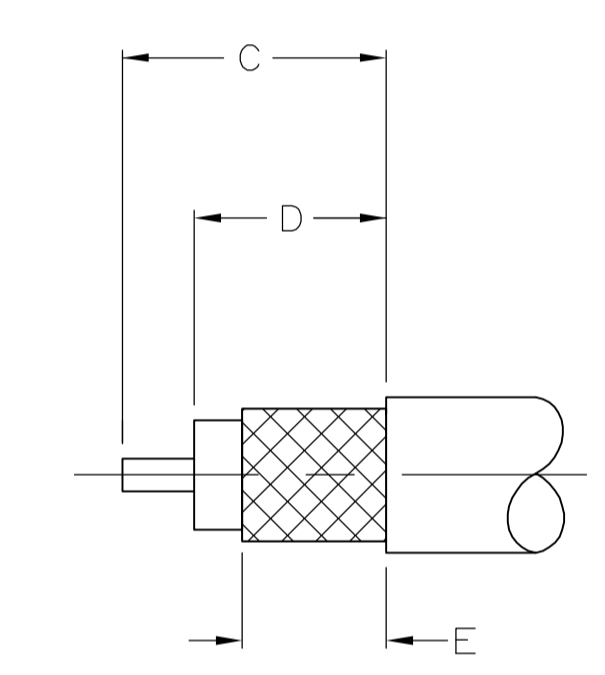


- 1. SEE I.S. 2028-1
- 2. SEE SEPERATE RESTRICTED CUSTOMER DRAWING
- 3. SAME AS 1-225661-8 EXCEPT PACKAGE 10 PER BOX



DETAIL A
SCALE 2:1



DETAIL B
SCALE 2:1

RECOMMENDED STRIP LENGTH

CABLE	CRIMPING TOOL	E	D	C	DETAIL	3 FERRULE QTY=1	2 CONTACT QTY=1	1 PLUG ASSY QTY=1	PART NUMBER
RG-58A/U & 58C/U	220045-2	8.71 [.343]	10.31 [.406]	15.09 [.594]	B	9-225381-0	225343-2	225342-3	9-225661-2
RG-213/U	220015-1	9.53 [.375]	12.70 [.500]	17.45 [.687]	B	9-51713-0	2-51695-1	51701-6	9-225661-1
RG-9/U & 214/U	220015-1	-	-	-	A	9-51713-0	2-51695-1	51701-6	9-225661-0
OBSOLETE	-	-	-	-	-	-	-	-	1-225661-9
OBSOLETE	-	-	-	-	-	-	-	-	1-225661-8
OBSOLETE BELDEN 8214	220015-1	9.53 [.375]	12.70 [.500]	17.45 [.687]	B	9-51713-0	1-51695-2	51701-6	1-225661-6
OBSOLETE RG-142/U, 142A/U, & 142B/U	220045-2	8.71 [.343]	10.31 [.406]	15.09 [.594]	B	225382-3	225343-4	225342-3	1-225661-5
SUPSD BY 1-225662-4 RG-141/U, 141A/U & BELDEN YR-20621	220045-2	8.71 [.343]	10.31 [.406]	15.09 [.594]	B	225381-3	225343-4	225342-3	1-225661-4
OBSOLETE RG-55A & 223	220045-2	8.71 [.343]	10.31 [.406]	15.09 [.594]	B	9-225382-0	225343-2	225342-3	1-225661-3
RG-58A/U & 58C/U	220045-2	8.71 [.343]	10.31 [.406]	15.09 [.594]	B	9-225381-0	225343-2	225342-3	1-225661-2
SUPSD BY 225092-8 RG-115A/U	220015-1	-	-	-	A	51713-9	2-51695-1	51701-7	1-225661-0
OBSOLETE RG-216/U	220015-1	-	-	-	A	51713-9	2-51695-2	51701-6	225661-5
RG-213/U	220015-1	9.53 [.375]	12.70 [.500]	17.45 [.687]	B	9-51713-0	2-51695-1	51701-6	225661-2
RG-9/U & 214/U	220015-1	-	-	-	A	9-51713-0	2-51695-1	51701-6	225661-1

THIS DRAWING IS A CONTROLLED DOCUMENT.

DIMENSIONS: MM [INCHES]	TOLERANCES UNLESS OTHERWISE SPECIFIED:	DWG: NIK FRITZ 9-24-90	CHK: M. SNFED 2-28-91	APPROV: R. HENRY 2-28-91	NAME: Tyco Electronics Corporation Harrisburg, PA 17105-3608
0 PLC ± -	1 PLC ± -	2 PLC ± -	3 PLC ± 0.41 [016]	4 PLC ± -	ANGLES ± -
MATERIAL: -	FINISH: -	WEIGHT: -	SIZE: A1	CAGE CODE: 00779	DRAWING NO: 225661
CUSTOMER DRAWING			SCALE: 4:1	SHEET: 1 OF 1	REV: K1

PLUG, SERIES N